

REHAB PUSH HANDLES

October 2017



Introducing our new rehab push handles

What are we improving?

The placement and attachment design of our rehab push handles. This improvement has enabled:

- The length of the overall chair to be shortened
- The handles to be fitted off to the sides of the spreader bar
- Flexi-arms can still flip up
- A more refined chair design



Side view push handles



Aerial view push handles

Push handles placement

The following visual illustrates peg handle placement on either MPS or Rehab seating systems.

PUSH HANDLES



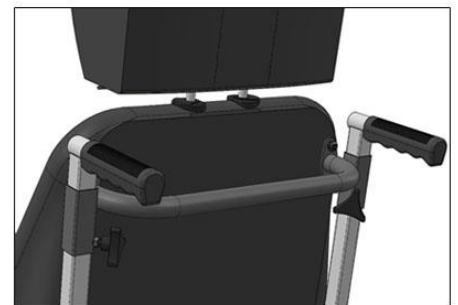
MPS Push Rail

- Most flexible option for use in conjunction with Attendant Control
- Does less damage to walls if impacted



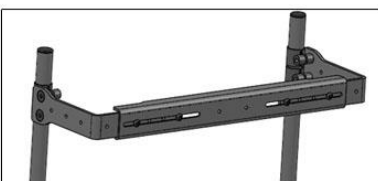
MPS Peg Handles

- Softer grip than push rail
- Protrudes further than push rail



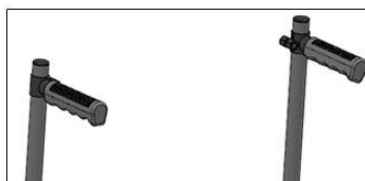
MPS Height Adjustable Handles

- Allows for more fine adjustment for attendant
- Attendant can use either push rail or handles



Rehab Spreader Bar

- Keeps canes parallel and can be used for pushing
- Fitted with neoprene grips when attendant control is selected



Rehab Peg Handles

- Softer grip than push rail
- Do not protrude as much as spreader bar



Rehab Peg Handles with Spreader

- A better option when a spreader bar is fitted
- Uses less cane height

Which wheelchair models can it be fitted to?

All Magic Mobility powered wheelchairs.

What is the pricing?

No change to pricing.

Is there a Process Control Plan (PCP)?

Yes. Please click on the link to download from Resource Space.

<https://rs.magicmobility.com.au/?r=1534&k=2fecc8097b>

Where do I find the visual assets for promotions?

To download the imagery please use the following Resource Space link:

<https://rs.magicmobility.com.au/?r=1533&k=13e5fc3cce>

<https://rs.magicmobility.com.au/?r=1532&k=2d945bd7b3>

<https://rs.magicmobility.com.au/?r=1531&k=66421e9cee>

What do you need to do?

Ensure that you download the associated promotional assets such as video and imagery to help promote the new product to your customers. Use imagery and suggested language below to help promote the new product in your sales presentations, website, email marketing and social media.

Contact Magic Mobility if you require further information

2/112 Browns Road, Noble Park Vic 3174

Tel +61 3 8791 5600 Fax +61 3 9701 0144 Email admin@magicmobility.com.au

<http://www.magicmobility.com.au>